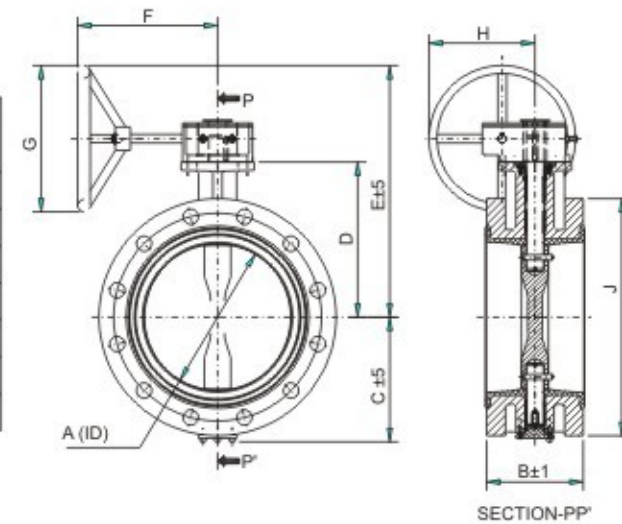
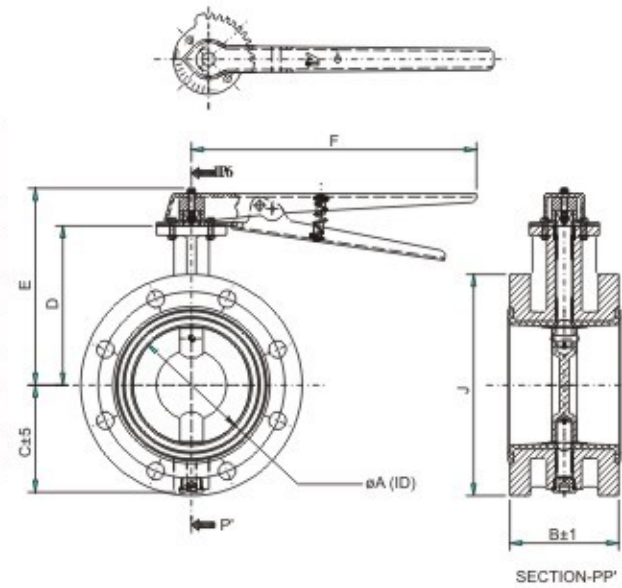


VALVE SIZE	A	B	C	D	E	F	J	WEIGHT IN Kgs.
50 MM	50	108	74	127	167	265	165	11.0
65 MM	65	112	80	134	174	265	185	14.0
80 MM	80	114	90	158	198	265	200	15.0
100 MM	100	127	110	168	208	265	230	20.0
125 MM	125	140	122	180	225	375	255	25.0
150 MM	150	140	138	205	250	375	285	32.0
200 MM	200	152	162	227	272	375	285	37.0

VALVE SIZE	aA	B	C	D	E	F	G	H	J	WEIGHT IN Kgs.
250 MM	250	165	215	266	430	242	250	182	405	72
300 MM	300	178	240	291	507	285	350	252	485	97
350 MM	350	190	275	332	548	285	350	252	535	120
400 MM	386	216	315	365	710	320	600	388	600	175
450 MM	436	222	340	397	742	320	600	388	640	228
500 MM	486	229	365	437	782	755	600	388	715	285
600 MM	586	267	440	502	822	395	500	445	840	466



#### Standard features of the product :

- Fully rubber lined body, with lining extending upto the flange contact face to make gasket free sealing.
- Ideal valve for installation with lined pipes, since the disc chord interference with pipe ID is negligible.
- Controlled compression of the gasket face offers optimum sealing and prevents gasket face crushing.
- Unique triple sealing system, for shaft sealing to ensure nil secondary leakage.
- Self-lubricated PTFE lined bearings, for both drive end, and non-drive end shafts, ensures min. bearing friction.
- Bi-directional tight shut off sealing from vacuum to rated pressure.
- Excellent adaptability for actuated operation through standardized ISO top flange.
- Universal square top shaft enabling direct actuator fitment, after removal of Hand lever, for sizes upto DN200
- Choice of seat and disc materials to suit media and operating conditions.
- Enables installation close to other pipe fittings, without disc interference.
- Preferred design for desalination plants, municipal water supply and Effluent treatment plants.
- Adjustable bottom thrust pad for DN250 and higher to take care of axial thrust loading.
- DN600 size provided with "O Ring holder" type drive end shaft sealing arrangement for extra reliability.



**INTERVALVE (INDIA) LTD.**

212/2, HADAPSAR, OFF SOLI POONAWALLA ROAD, PUNE - 411 028. INDIA  
 TEL : 91-20-26993900, 26993904 FAX : 91-20-26993921  
 http://www.poonawallagroup.com E-mail: intervalve@poonawallagroup.com



**INTERVALVE (INDIA) LTD.**

(WITH DUTCH TECHNOLOGY)



#### IVDF

Double Flanged Centric Disc Rubber lined Butterfly Valves



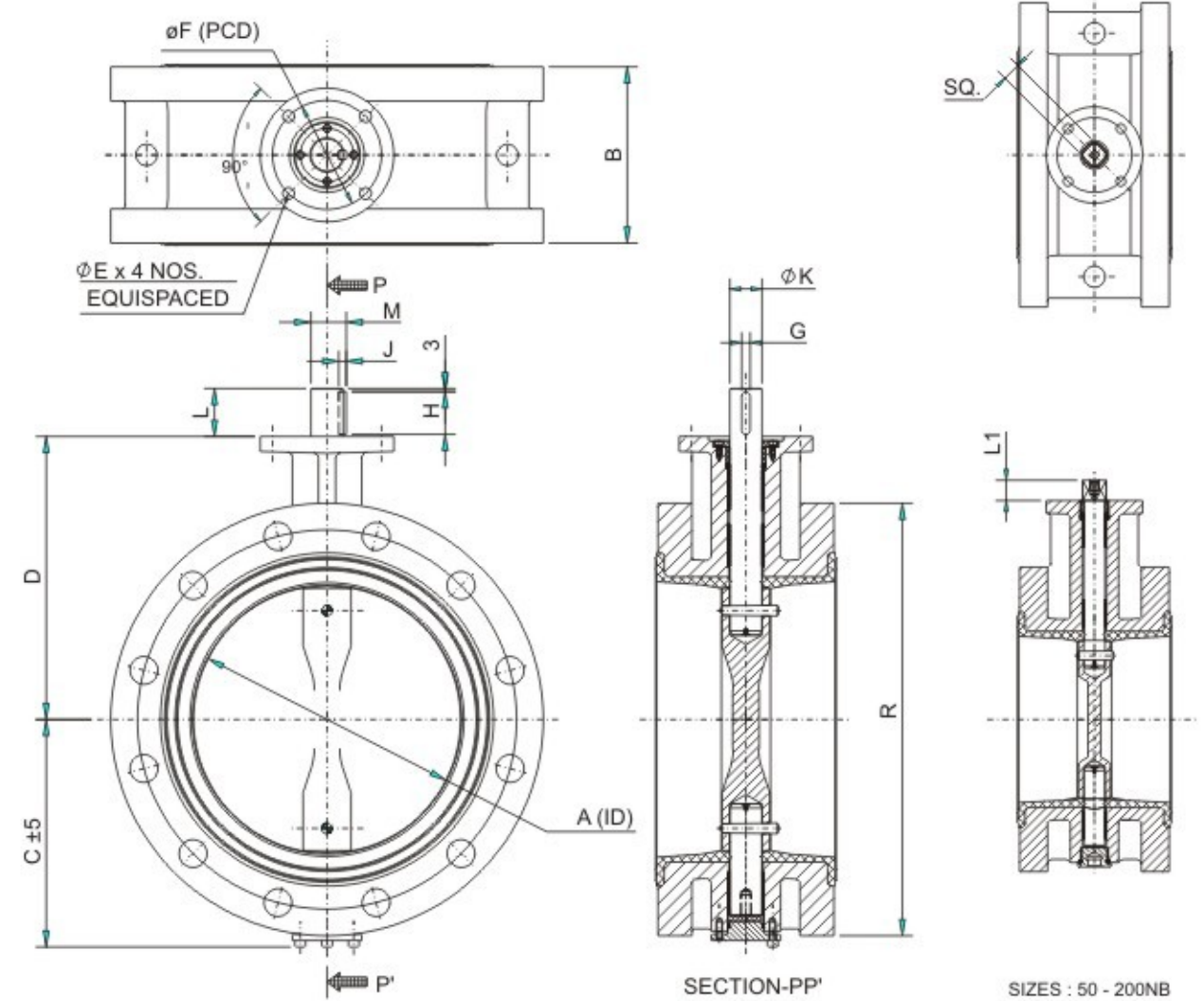
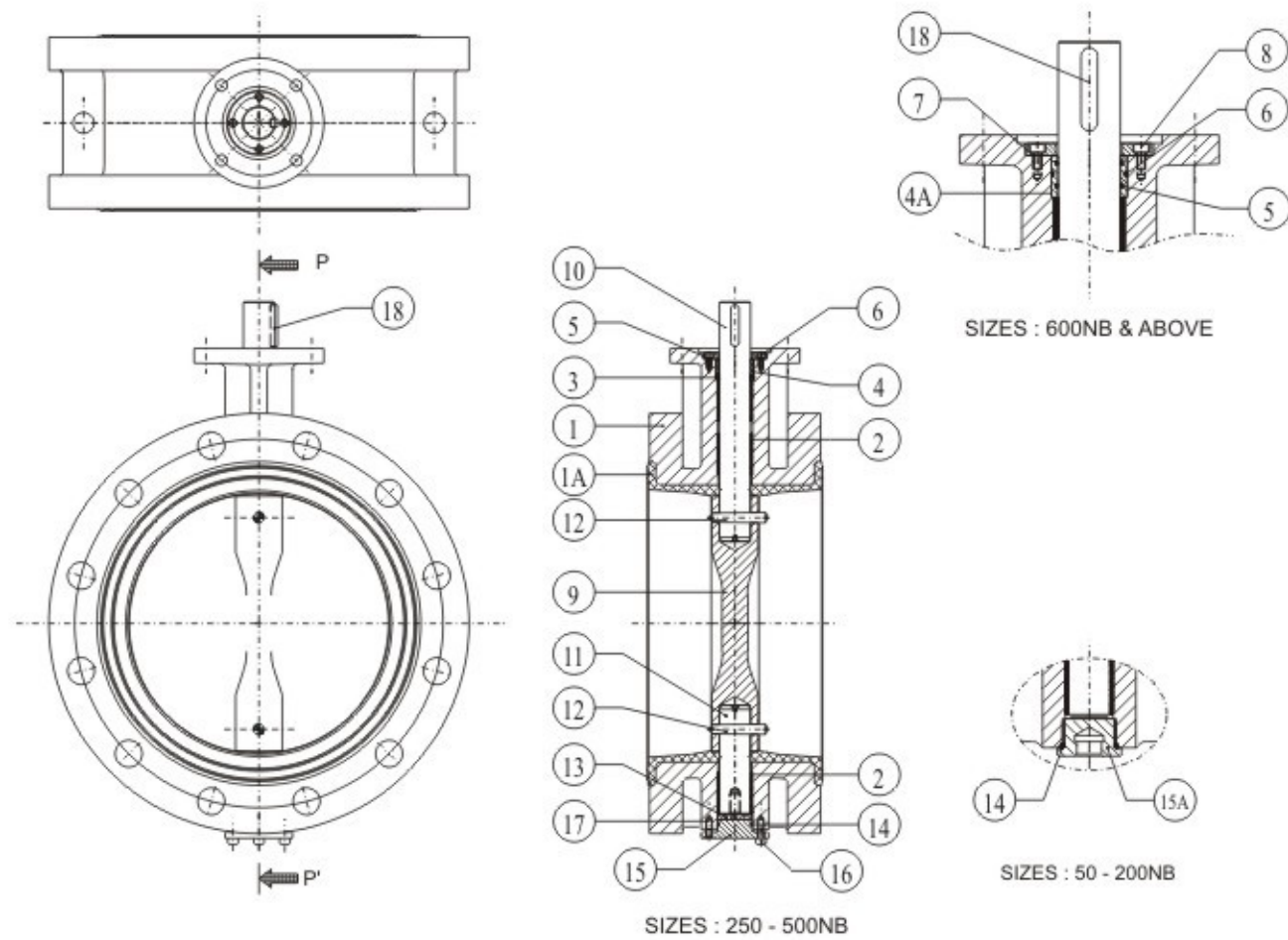
The most sought after design by the desalination plants and utility installations, IVDF represents the state of the art rubber lined double Flanged valve, meeting all the user industry requirements. The double flanged body pattern ensures precise installation in pipeline, and can be used as an end of the line valve if required. The unique feature of this valve, is its adaptability for lined pipes, due to negligible disc protrusion beyond the body laying length. The universal square top shaft on valves upto DN200, enables easy change over from hand lever operation to actuated operation when required.

#### Conformity to codes & standards:

- General design and manufacturing : EN 593 (BS 5155) / API 609 / IS 13095.
- Valve face to face dimension : Double flanged Short Pattern to EN593 (BS5155) / API 609 / IS 13095 / ISO 5752 series-13.
- Top flange drilling : ISO 5211.
- Valve Inspection & Testing : API 598 / EN 12266Pt 1 (BS 6755 Pt 1)
- Flange Standard Conformity : ANSI B16.5 #150, DIN or BS4504 - PN6 / PN10 / PN16. AWWA C207 CLASS-B & D.

#### Technical specification:

- 1. Valve type : Centric Disc Double Flanged Butterfly valve
- 2. Body type : Double Flanged Short
- 3. Seat (liner) type : Integrally Bonded with body ID.
- 4. End connection : Flanged Ends
- 5. Size Range : DN 50 to DN 600.
- 6. Pressure rating : PN2.5, PN6, PN10 & PN16.
- 7. Operating temperature range : -20° C to 130° C. (depending on MOC)
- 8. Seat leakage : Tight Shut off
- 9. Operation : Hand Lever for sizes upto DN200 or Worm Gear, Pneumatic or Electric Actuators.
- 10. Standard Material Of Construction :
  - Body : CI / SGI / WCB .
  - Disc : SGI / WCB / CF8 / CF8M.
  - Bonded Seat : NITRILE / EPDM / NEOPRENE / HYPALON.
  - Shafts : AISI 410 / SS 17-4 PH.
  - Bearing : STEEL+PTFE or SS 316+PTFE.



PARTS LIST & MATERIAL OF CONSTRUCTION

Part. No.	PART DESCRIPTION	QTY.	MATERIAL	SPARE	REMARKS
1	BODY (BONDED)	1	CS/SGI/WCB		
1A	SEAT (BONDED)	1	NITRILE/EPDM/NEOPRENE/HYPALON		
2	GLACIER BEARING	3	STEEL+PTFE/SS+PTFE		
3	O-RING	1	NITRILE/EPDM	*	UPTO 500NB ONLY
4	BUSH	1	POLYACETAL	*	UPTO 500NB ONLY
4A	O-RING HOLDER	1	AISI-304		600NB & ABOVE
5	O-RING (INNER)	1	NITRILE/EPDM	*	600NB & ABOVE
6	O-RING (OUTER)	2	NITRILE/EPDM	*	600NB & ABOVE
7	TOP RETAINER PLATE	1	AISI-316		250NB & ABOVE
8	SOC. HD. CAP SCREW	4	AISI-304		250NB & ABOVE
9	DISC	1	SGI/WCB/CF8/CF8M		
10	TOP SHAFT	1	AISI-410/17.4 PH		
11	BOTTOM SHAFT	1	AISI-410/17.4 PH		
12	TAPER PIN	1/2	AISI-316	*	250NB & ABOVE (2)
13	THRUST PAD	1	AL. BRONZE		
14	O-RING BOTTOM	1	NITRILE/EPDM	*	
15	BOTTOM COVER	1	CS/IS2062 Gr.B/AISI-304		
15A	BOTTOM PLUG	1	CA15/AISI-316	*	UPTO 200NB ONLY
16	SOC. HD. CAP SCREW	4	AISI-304		
17	SOC. HD. GRUB SCREW	4	AISI-304		
18	PARALLEL KEY	1	EN8/AISI-410		

NOTE - MARKED \* ARE STD. SPARES

VALVE SIZE	A	B	C	D	E	F	G	H	J	K	L	M	SQ.	L1	R	WEIGHT IN Kgs.
50 MM	50	108	74	127	7	50	4	25	4	12	30	14.8	11	16	165	10.0
65 MM	65	112	80	134	7	50	4	25	4	12	30	14.8	11	16	185	12.0
80 MM	80	114	90	158	7	50	4	25	4	12	30	14.8	14	16	200	14.0
100 MM	100	127	110	168	7	50	5	25	5	16	30	18.3	14	16	230	19.0
125 MM	125	140	122	180	9	70	5	30	5	16	35	18.3	17	19	255	24.0
150 MM	150	140	138	205	9	70	6	30	6	20	35	23.3	17	19	285	30.0
200 MM	200	152	162	227	9	70	6	30	6	20	35	23.3	17	19	345	38.0
250 MM	250	165	215	266	11	102	8	40	7	30	45	33.3	-	-	405	62.0
300 MM	300	178	240	291	11	102	8	40	7	30	45	33.3	-	-	485	82.0
350 MM	350	190	275	332	14	125	8	50	7	30	55	33.3	-	-	535	105
400 MM	386	216	315	365	18	140	12	60	8	40	65	43.3	-	-	600	148
450 MM	436	222	340	397	18	140	12	60	8	40	65	43.3	-	-	640	185
500 MM	486	229	365	437	18	140	12	60	8	40	65	43.3	-	-	715	238
600 MM	586	267	440	502	22	165	14	75	9	60	80	53.8	-	-	840	370